

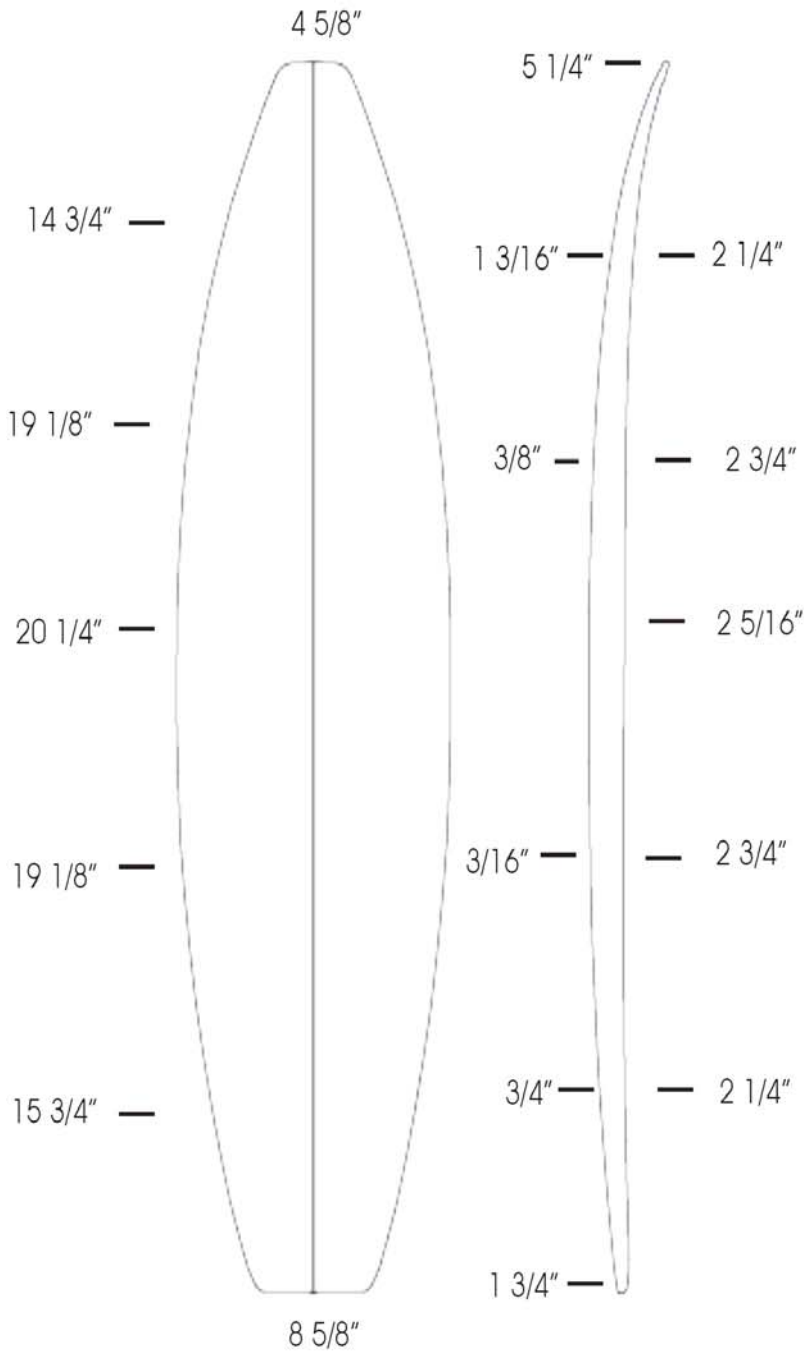
Echotech Enterprises

Surf Board Blank Catalog

6'1"ER

Overall Bottom Length: 6' 1 1/4"

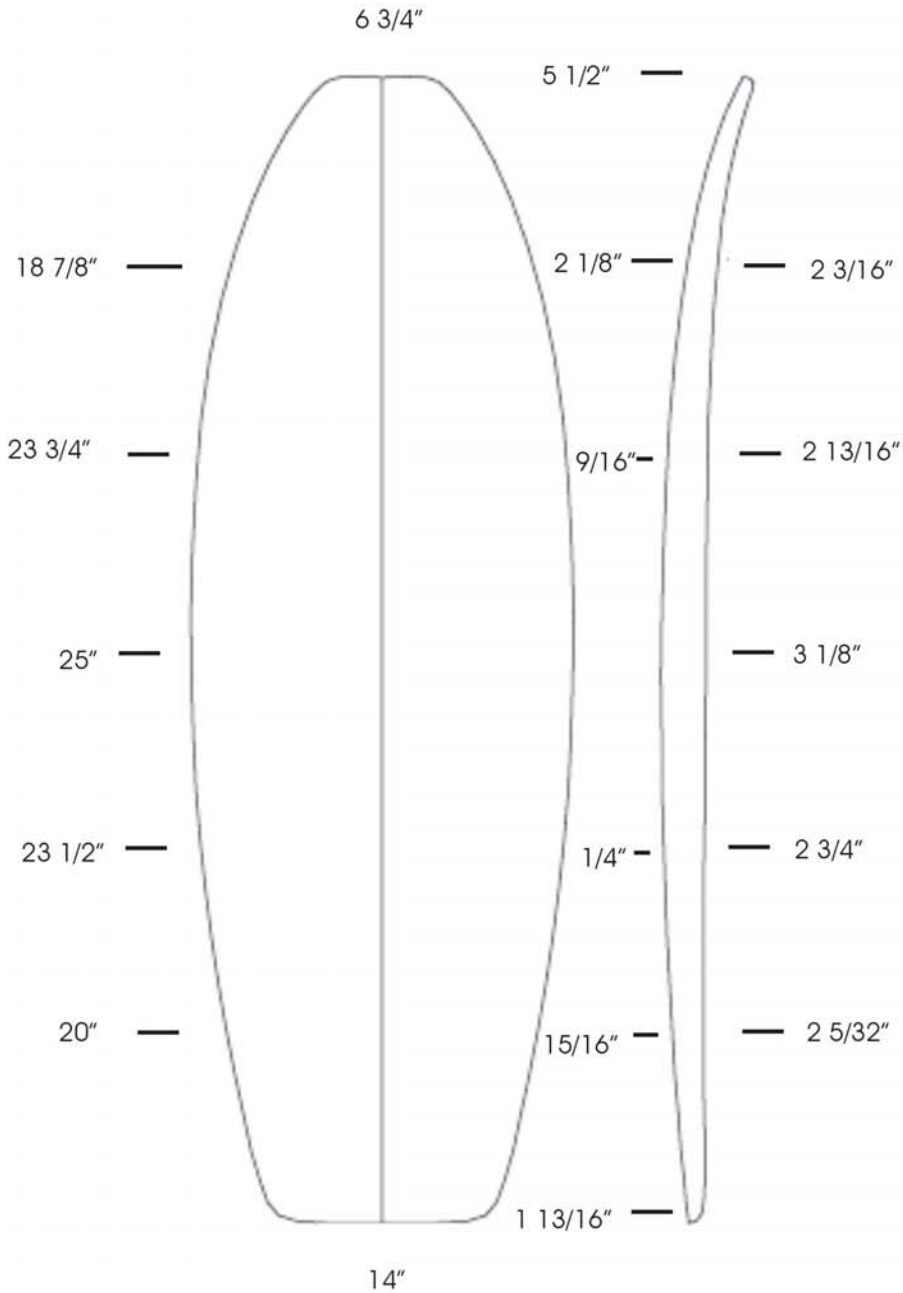
Tip to Tip Deck Length: 6' 0 3/8"



6'2" EC

Overall Bottom Length: 6' 3 1/4"

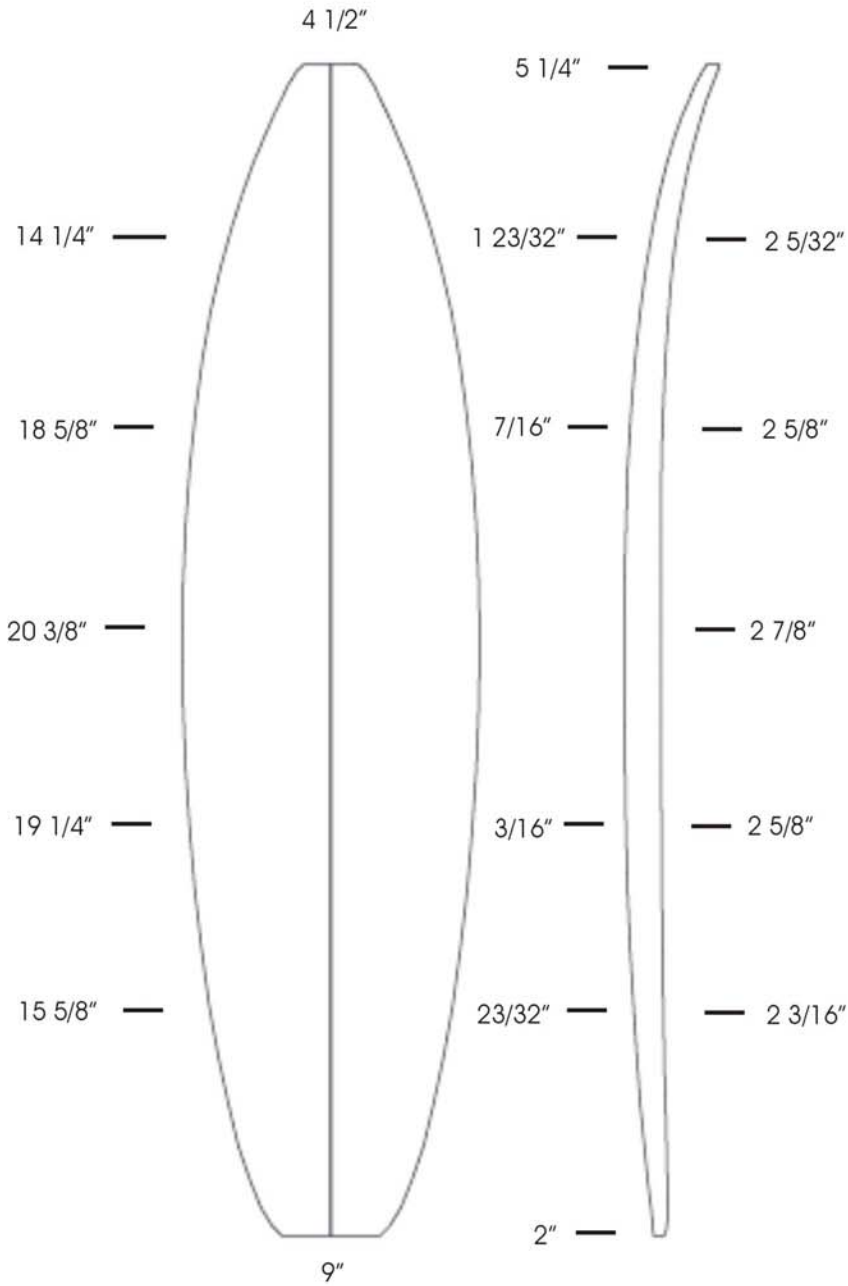
Tip to Tip Deck Length: 6' 2 1/2"



6'3"EH

Overall Bottom Length: 6' 4 1/2"

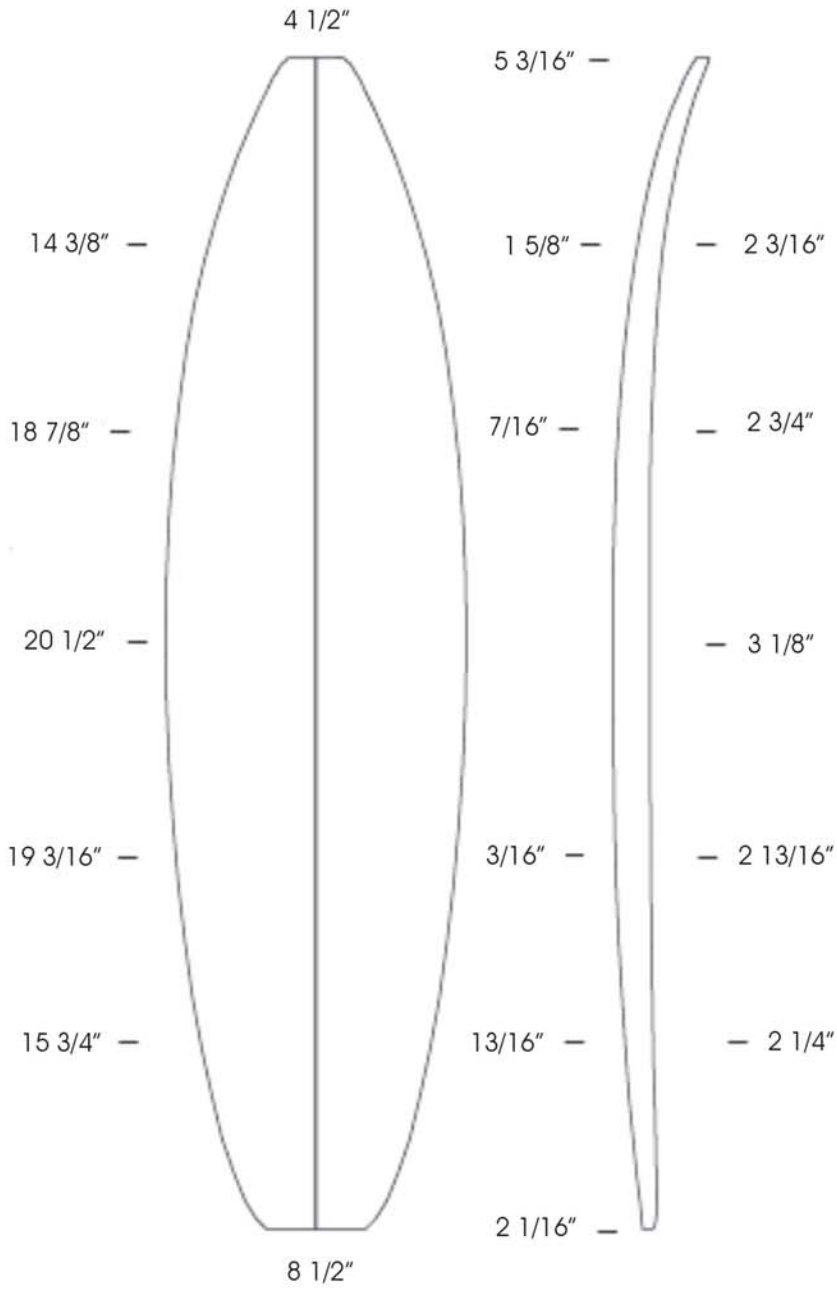
Tip to Tip Deck Length: 6' 3 3/4"



6'5"ER

Overall Bottom Length: 6' 5 1/8"

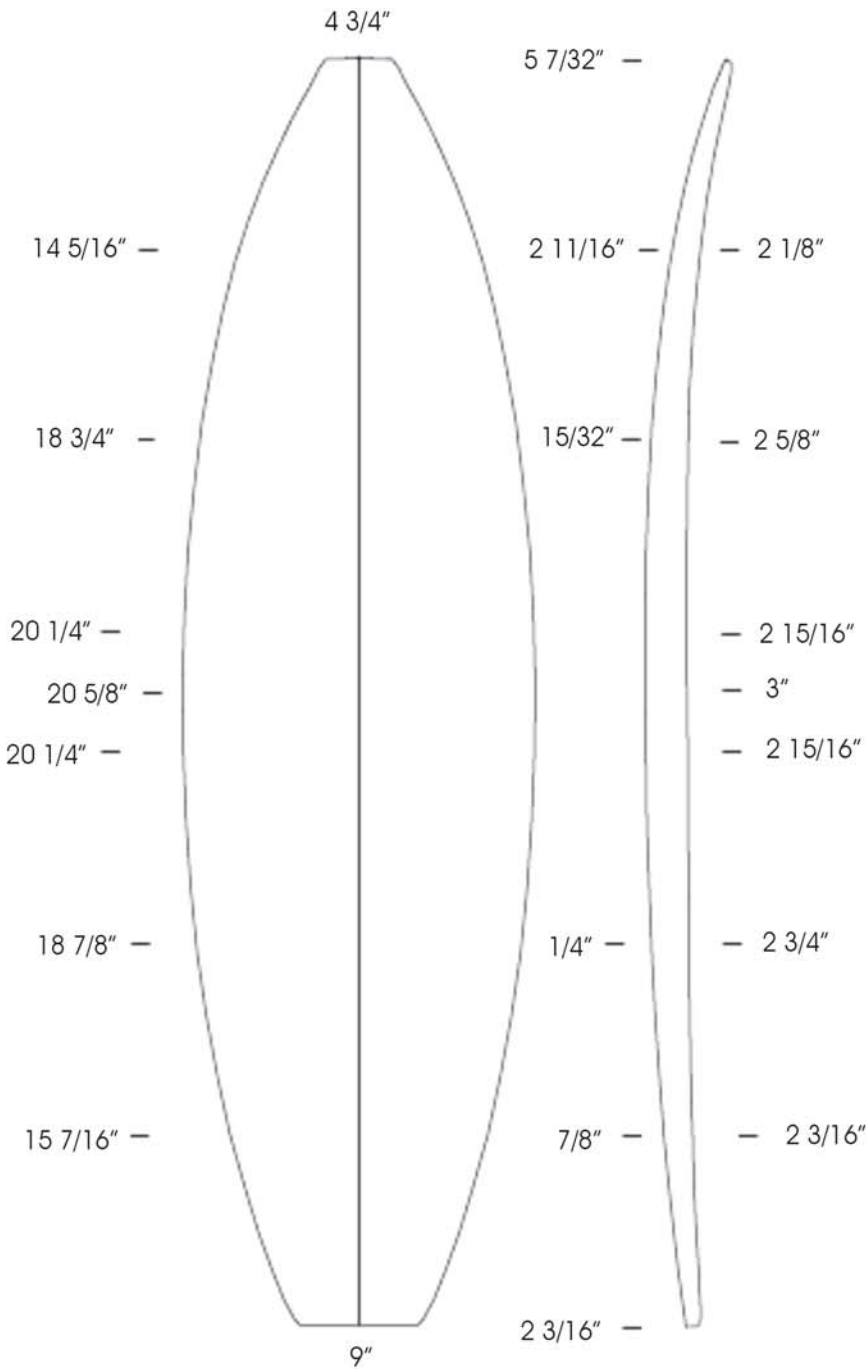
Tip to Tip Deck Length: 6' 4 1/8"



6'7"ER

Overall Bottom Length: 6' 7 1/4"

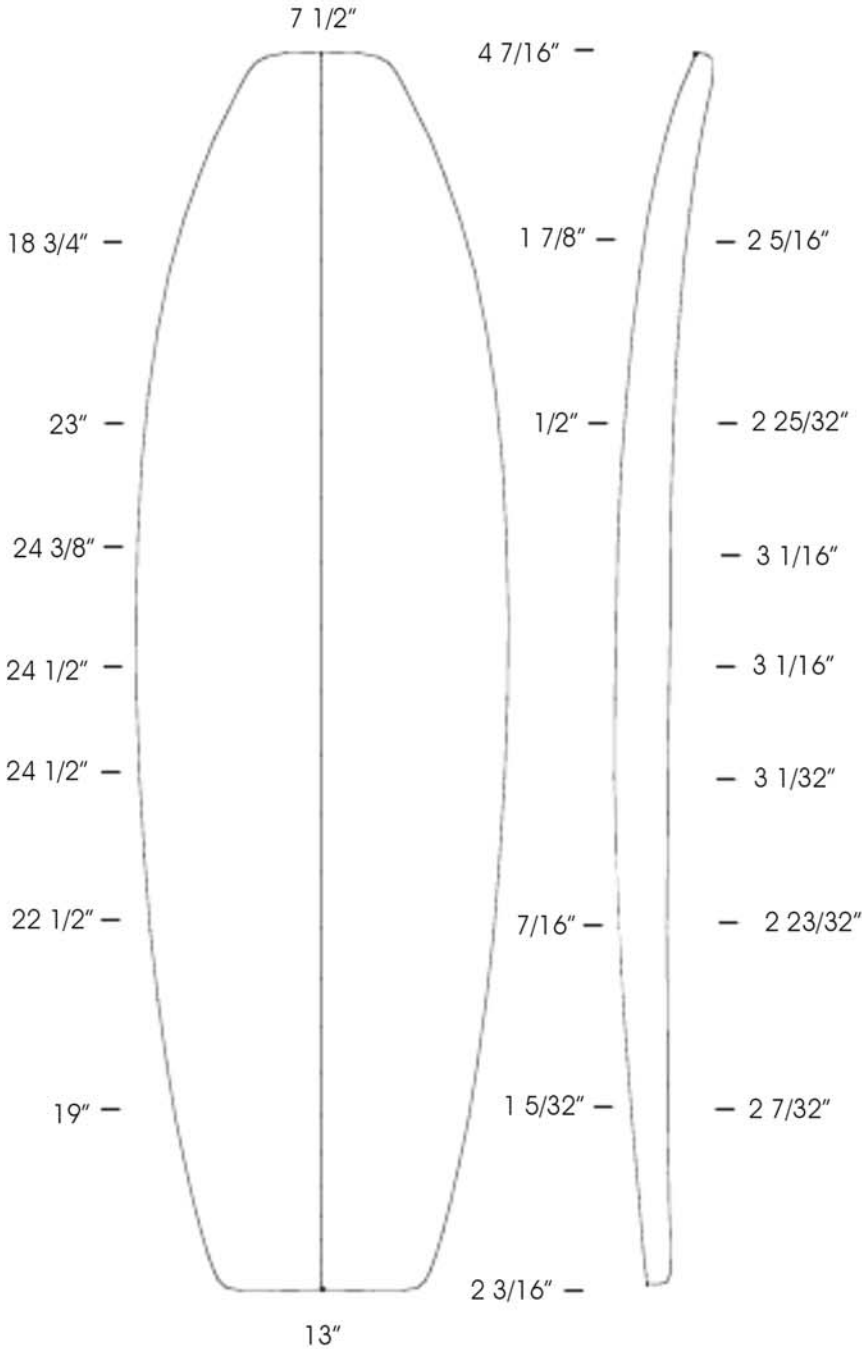
Tip to Tip Deck Length: 6' 6 1/2"



6'9"EA

Overall Bottom Length: 6' 10 5/8"

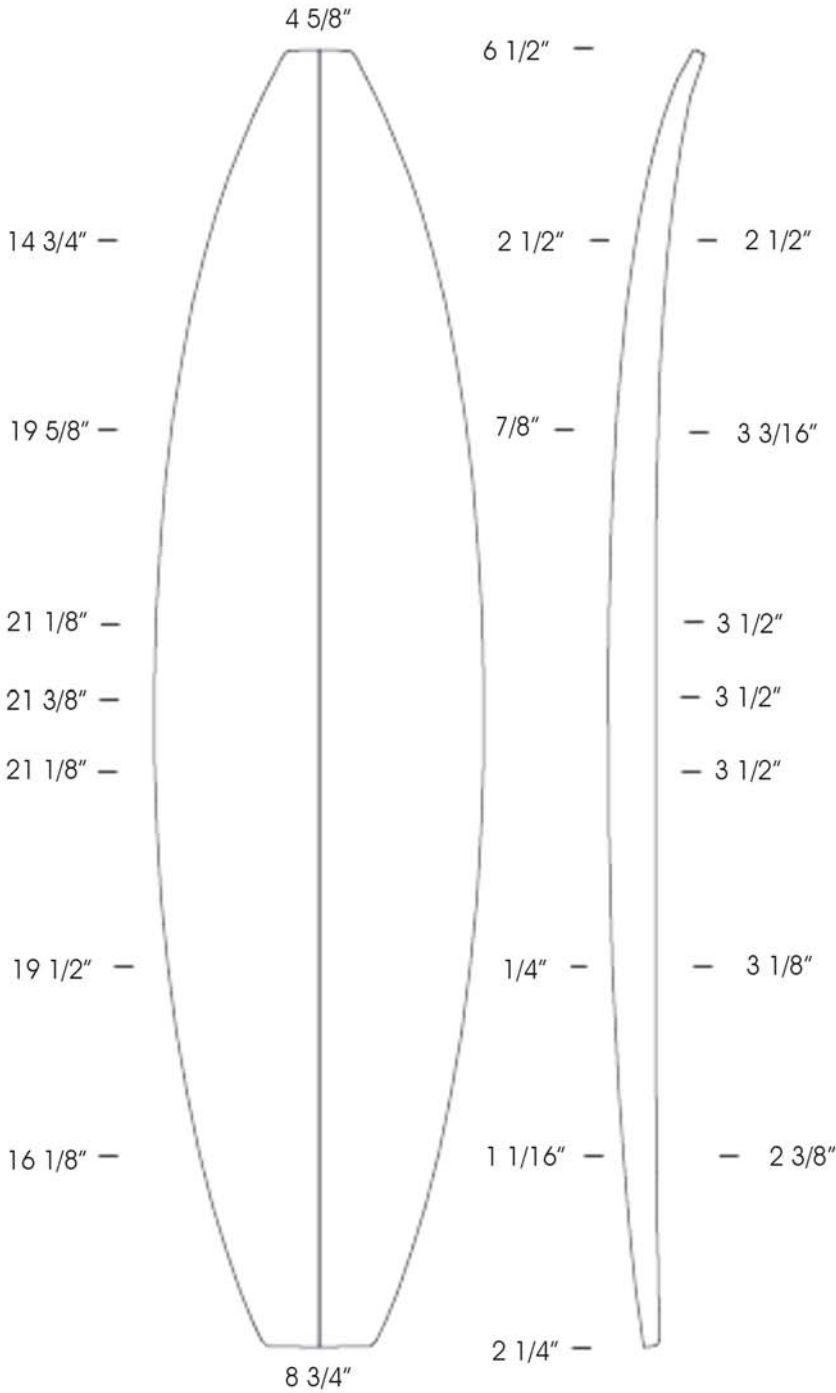
Tip to Tip Deck Length: 6' 10"



6'9"ER

Overall Bottom Length: 6' 10 3/8"

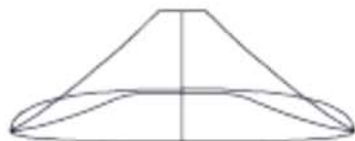
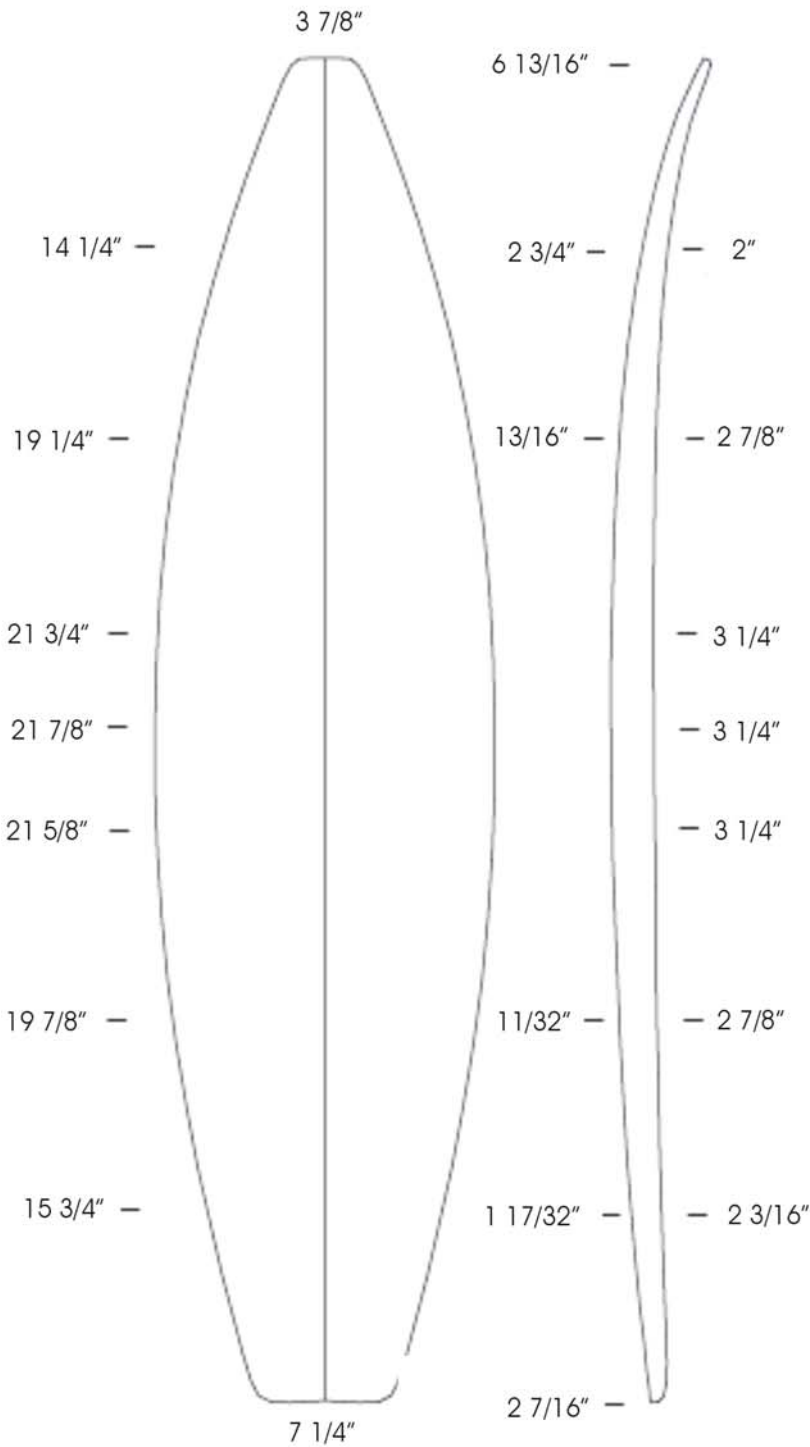
Tip to Tip Deck Length: 6' 9 1/4"



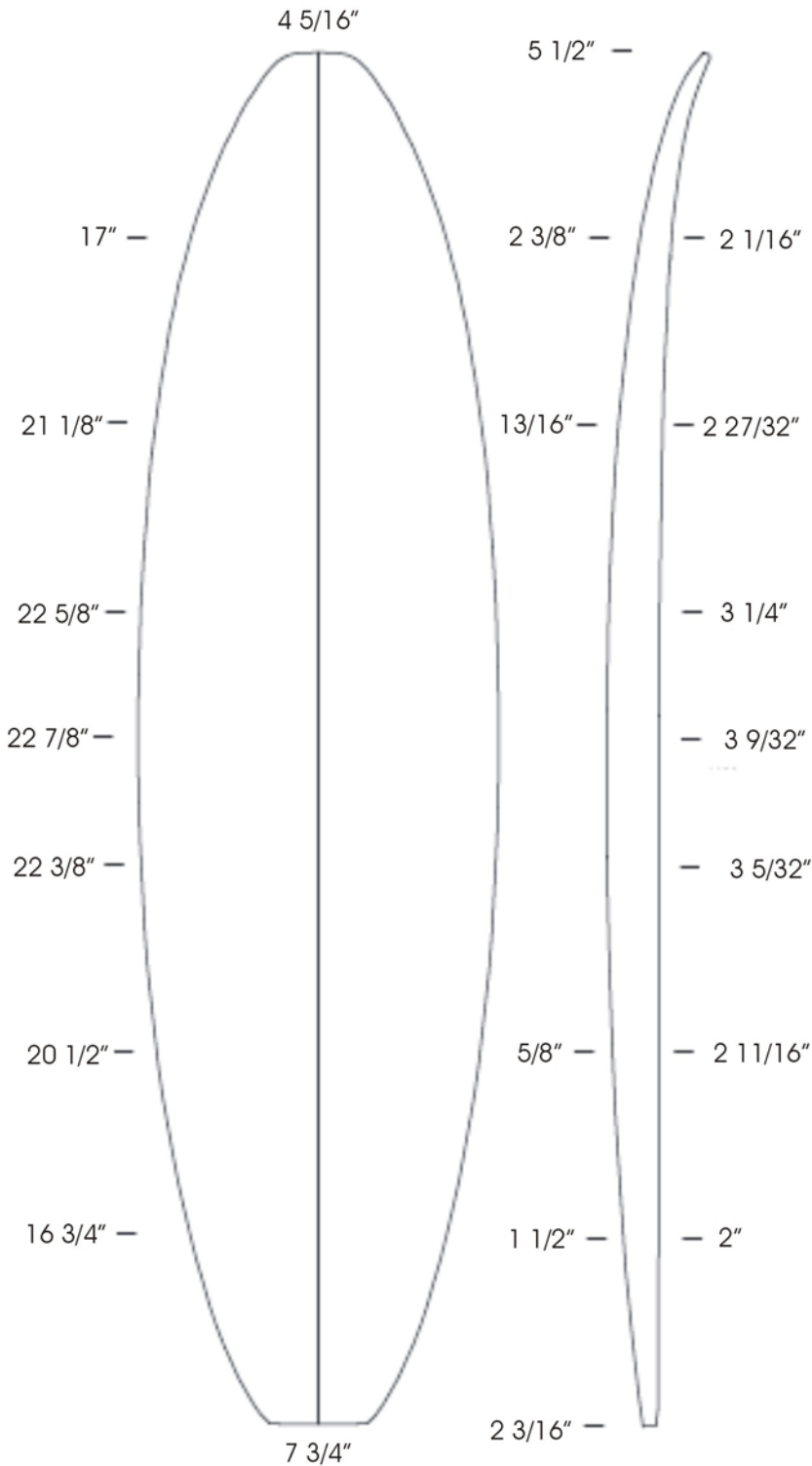
7'0"ER

Overall Bottom Length: 7' 1 1/8"

Tip to Tip Deck Length: 7' 3/4"



7'4"ER



Overall Bottom Length: $7' 5 \frac{11}{16}''$

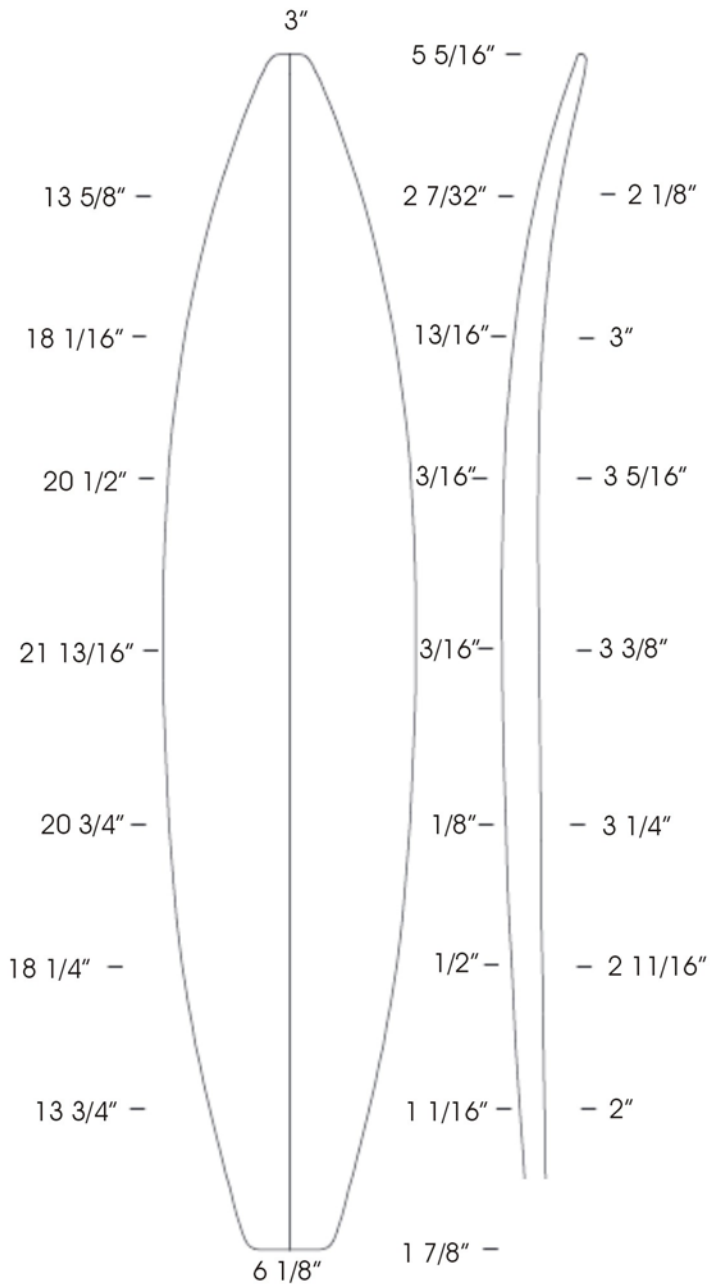
Tip to Tip Deck Length: $7' 5''$



8'5"EA

Overall Bottom Length: 8' 5 7/8"

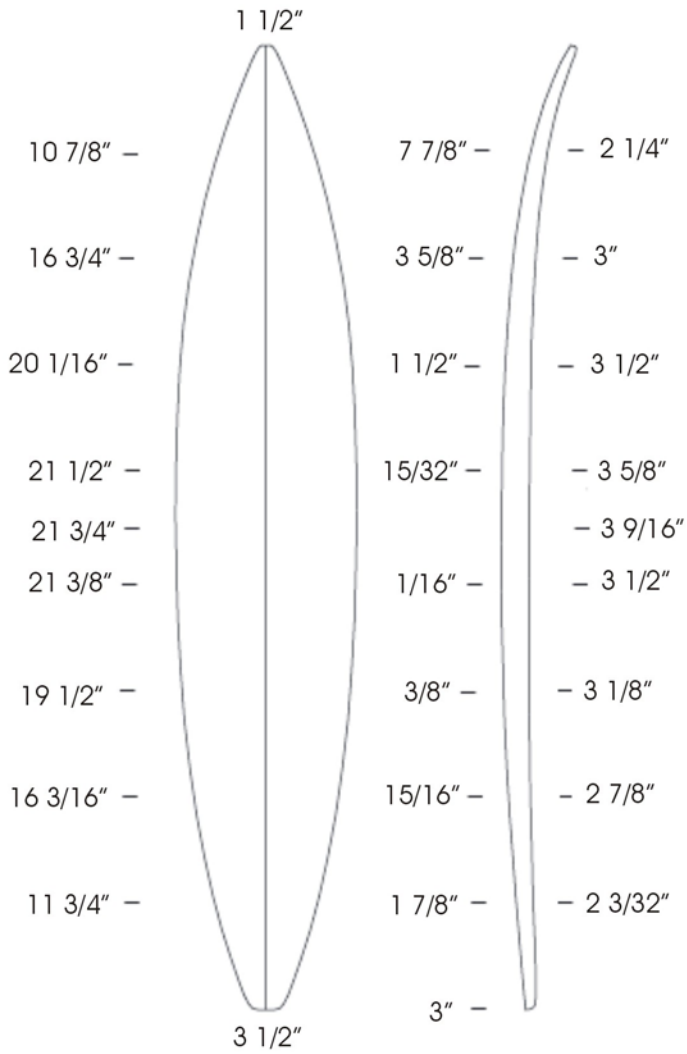
Tip to Tip Deck Length: 8' 5 3/8"



9'1"EA

Overall Bottom Length: 9' 5 1/8"

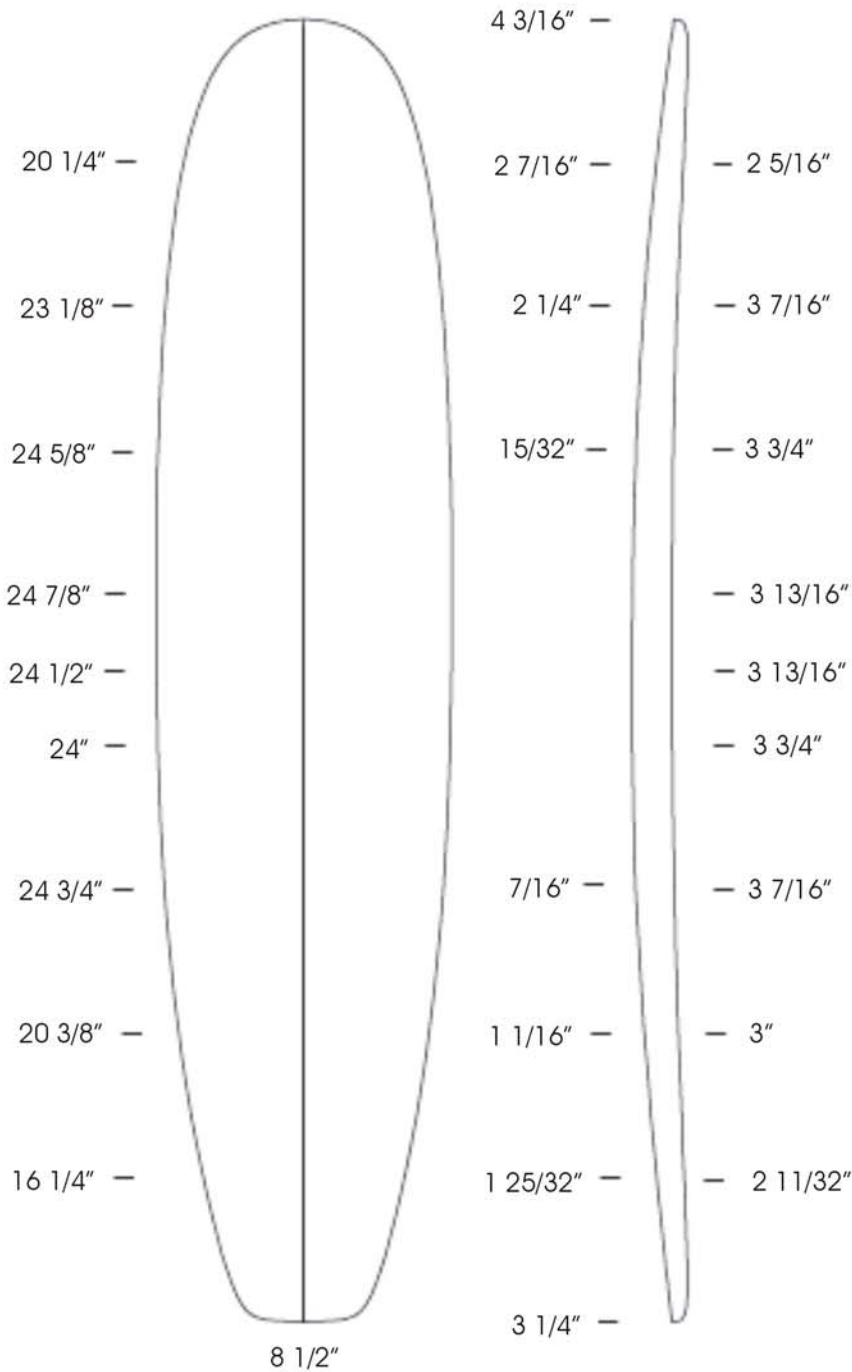
Tip to Tip Deck Length: 9' 4 1/8"



9'1" EY

Overall Bottom Length: 9' 3 1/8"

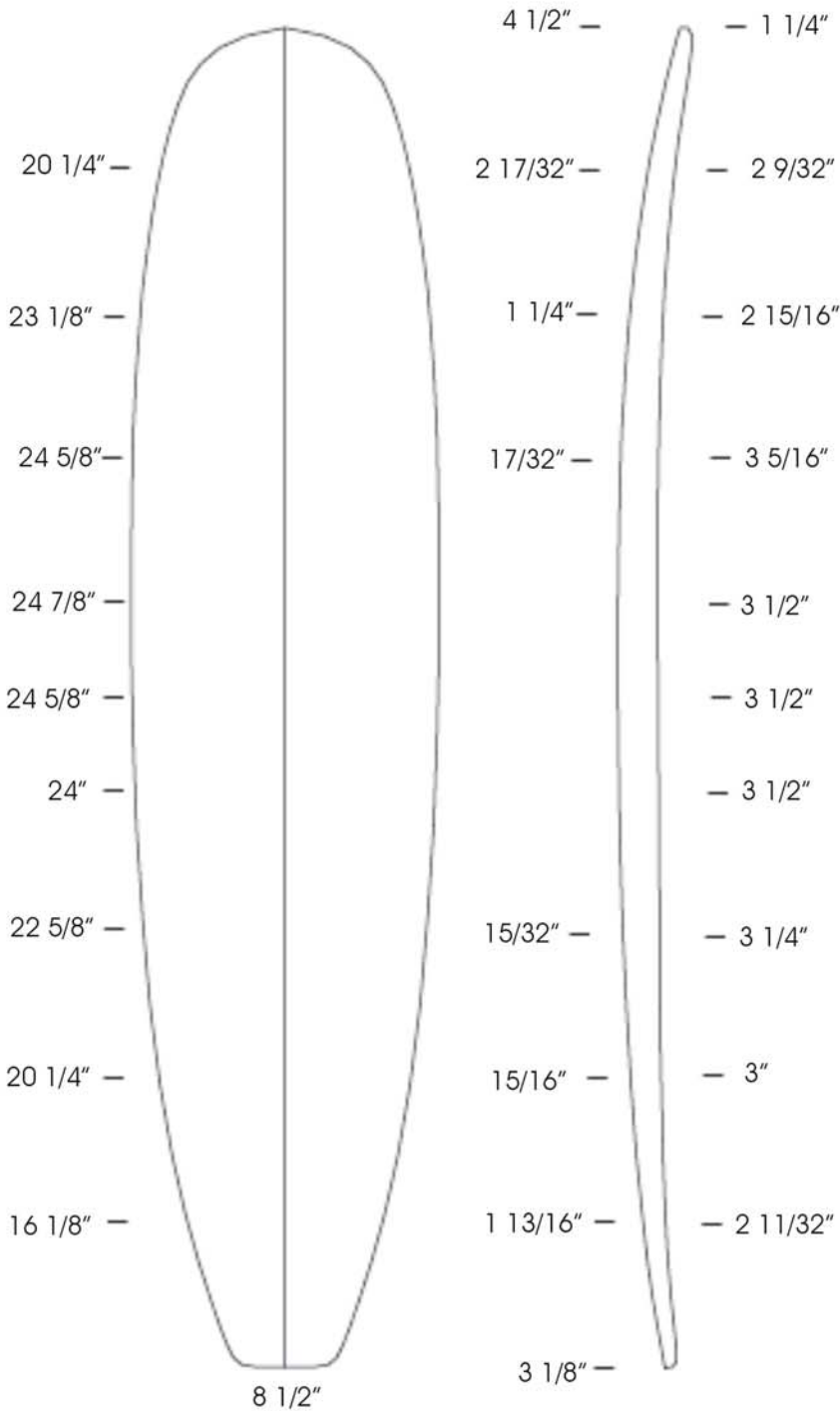
Tip to Tip Deck Length: 9' 3 3/4"



9'4"EB

Overall Bottom Length: 9' 3 3/4"

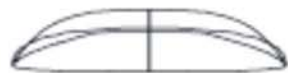
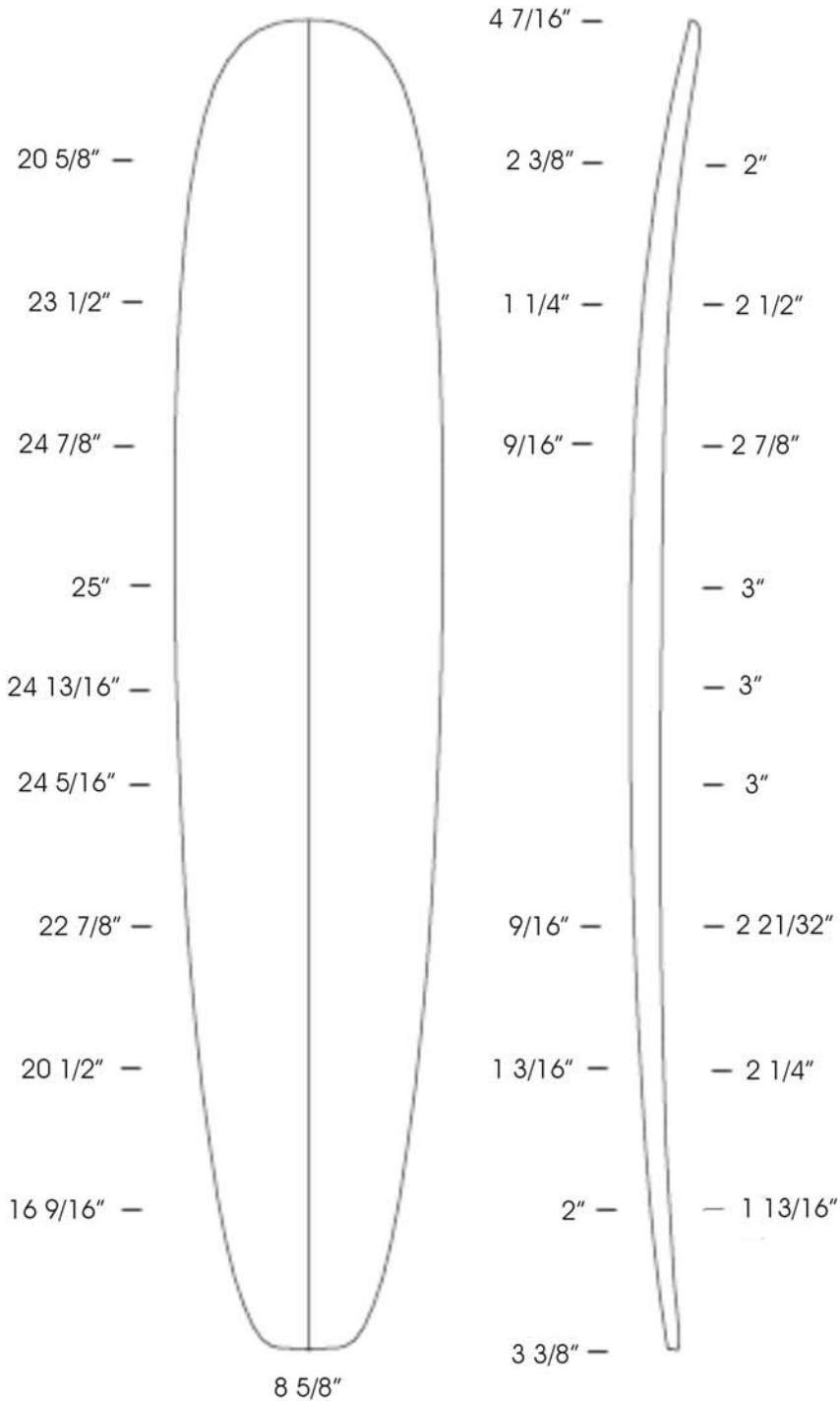
Tip to Tip Deck Length: 9' 4 1/4"



9'4"EH

Overall Bottom Length: 9' 3 7/8"

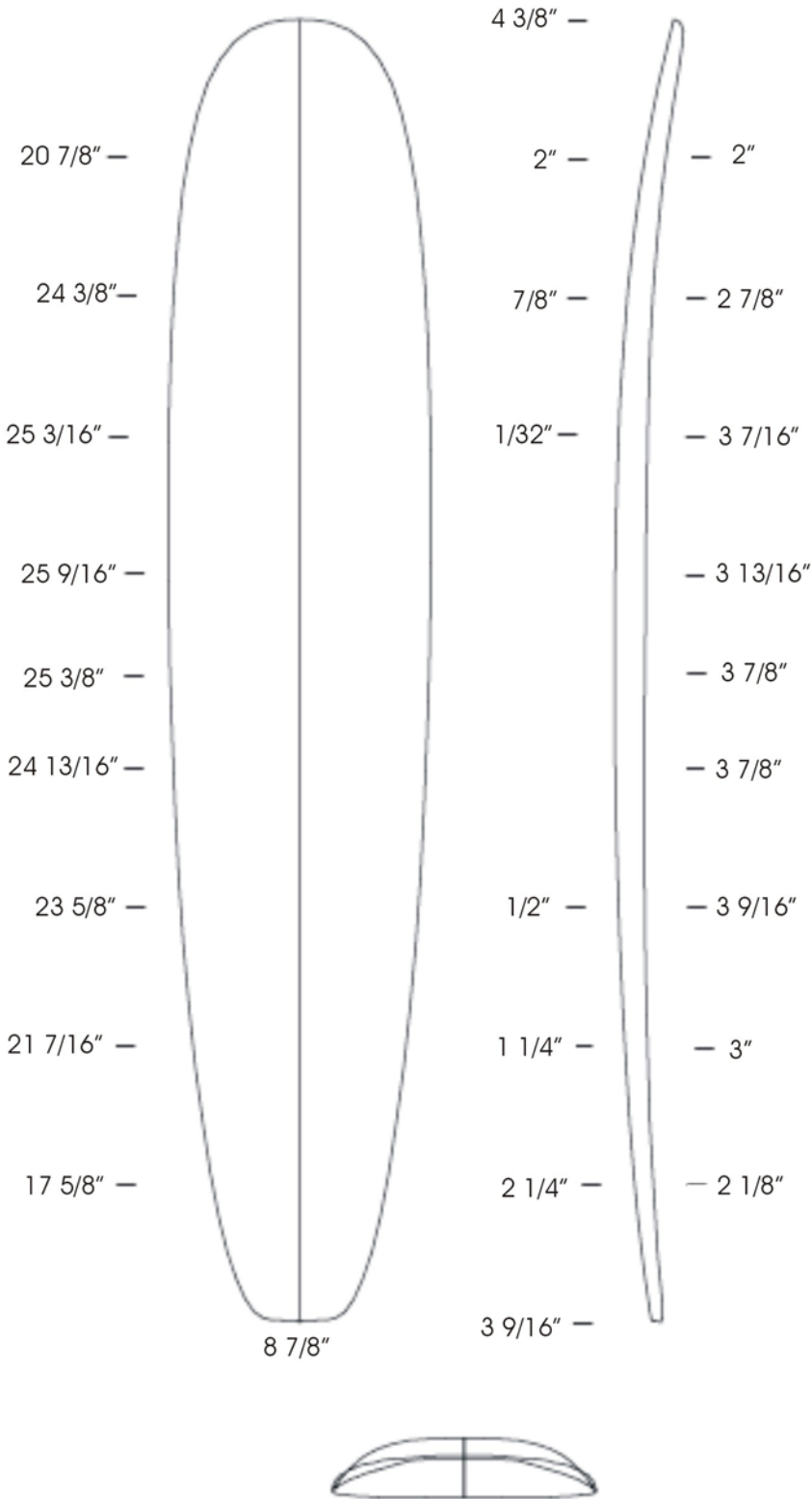
Tip to Tip Deck Length: 9' 3 3/8"



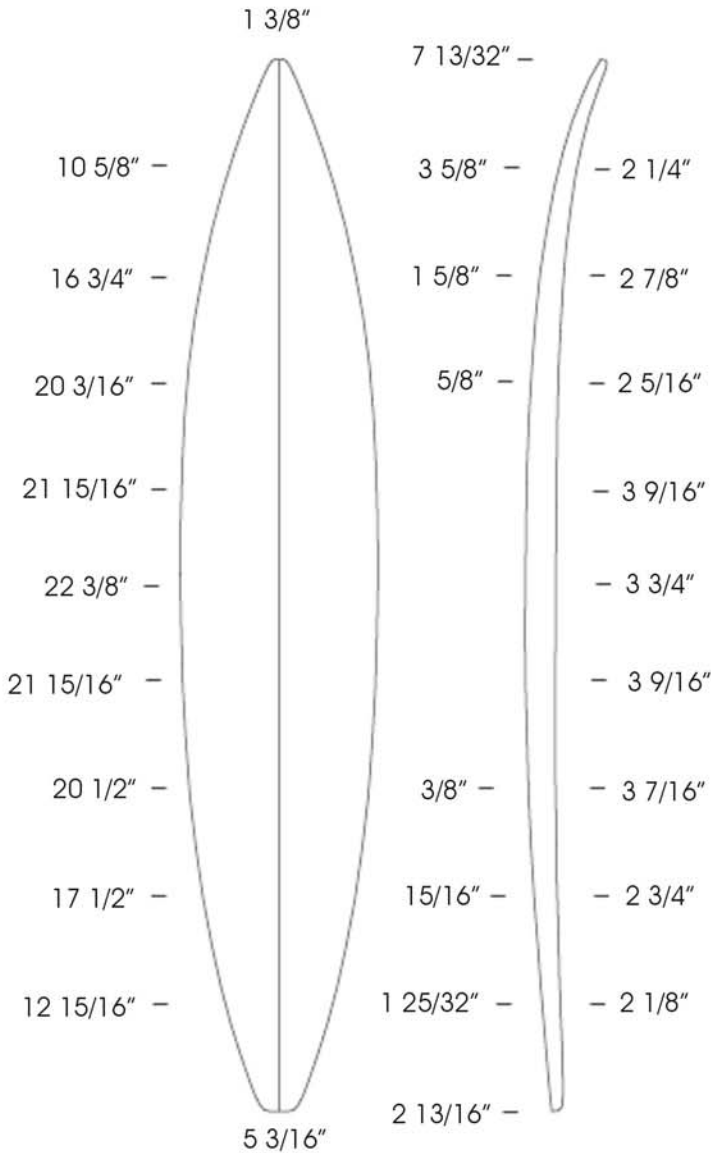
9'8"ES

Overall Bottom Length: 9' 8 1/8"

Tip to Tip Deck Length: 9' 7 3/4"



9'9"EA



Overall Bottom Length: 9' 9 13/16"

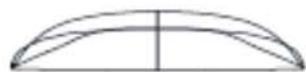
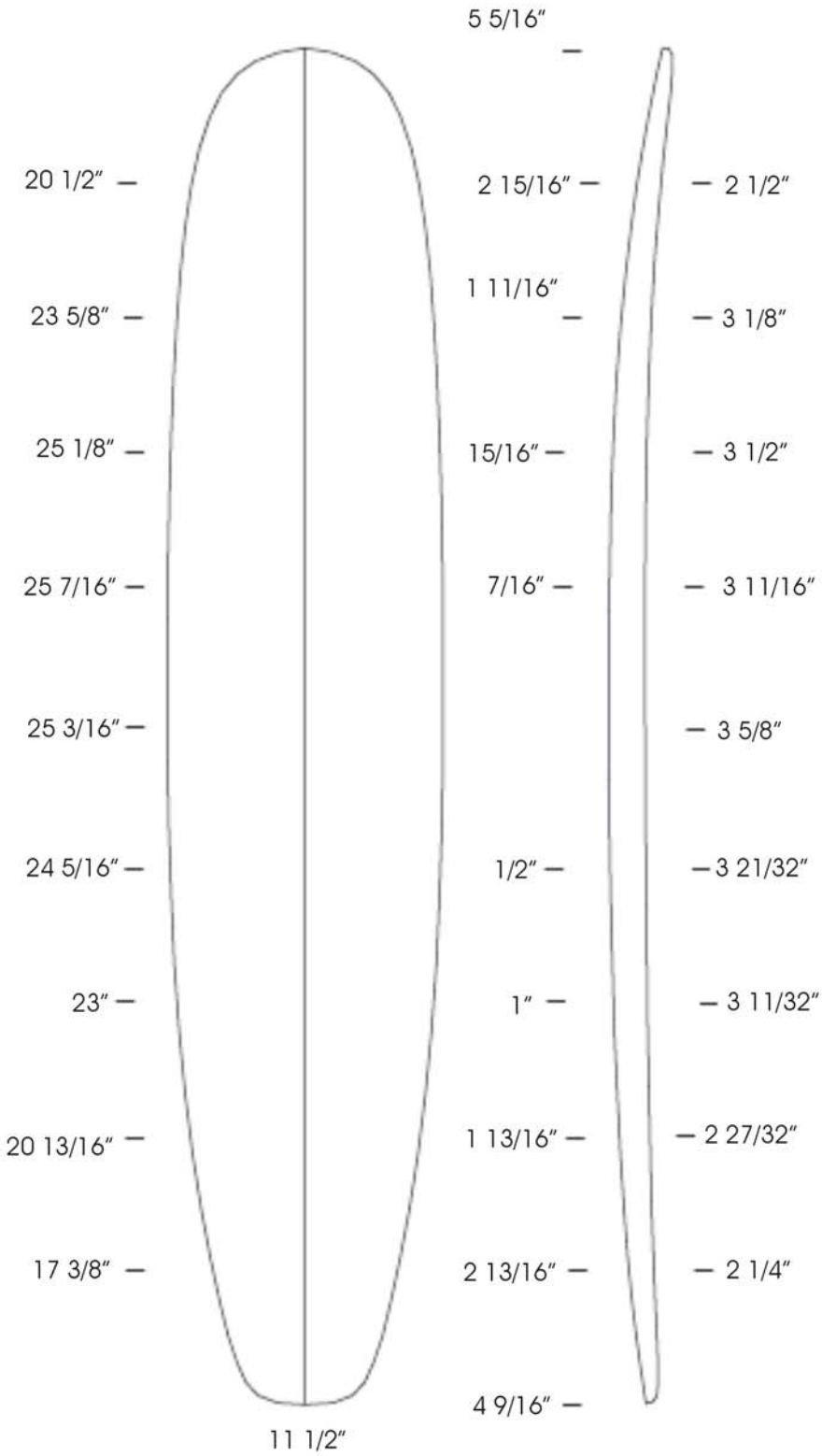
Tip to Tip Deck Length: 9' 8 7/8"



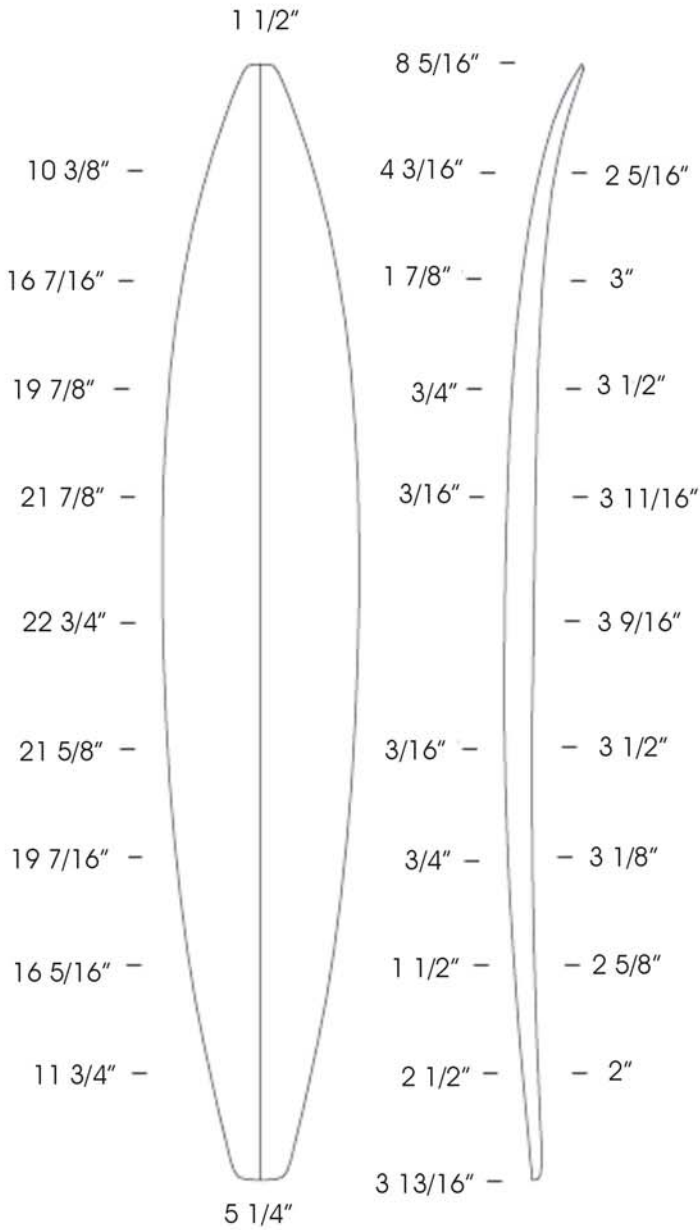
10'1" EY

Overall Bottom Length: 10' 1 7/8"

Tip to Tip Deck Length: 10' 2"



10'4"EA



Overall Bottom Length: 10' 5 1/2"

Tip to Tip Deck Length: 10' 4 3/8"



11'3"EH

Overall Bottom Length: 11' 3 1/4"

Tip to Tip Deck Length: 11' 2 3/4"

